

## ND60A Nudaslim 60

### Countertop basin 60 cm

• WITHOUT OVERFLOW • WITHOUT TAP LEDGE

Complements: FORTY6 shelf (F6PS65)  
 BOX wall hung vanity units depth 37 / 50 cm  
 CUBIKA wall hung vanity units depth 37 / 50 cm  
 DENVER furniture (DV103M)  
 Struttura Filo 75 (F175SV - F175SC)  
 Line taps basin: ONE - NOKÈ - FOLD - X1  
 Line accessories: TWO - HOOP - NOKÈ - FOLD

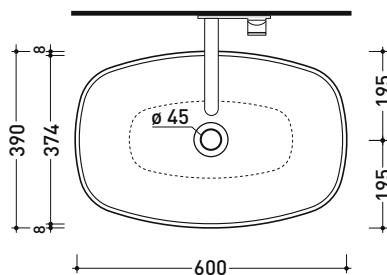
Technical accessories: Chrome siphon (SIFL/CR) - Telescopic chrome siphon (SIFL066)  
 Stop & Go drain (PLSG)  
 CERAMIC Stop & Go drain (PLCE)  
 Chrome waste with automatic integrated overflow (PLTPCR)  
 Waste with automatic integrated overflow and ceramic cover (PLTPCE)  
 Fixing kit for wall (9002)

Package dim.

Weight 9,3 kg

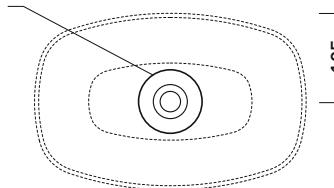
Pz. Pallet n°

CE UNI EN 14688 - CL00 Dop-No14688

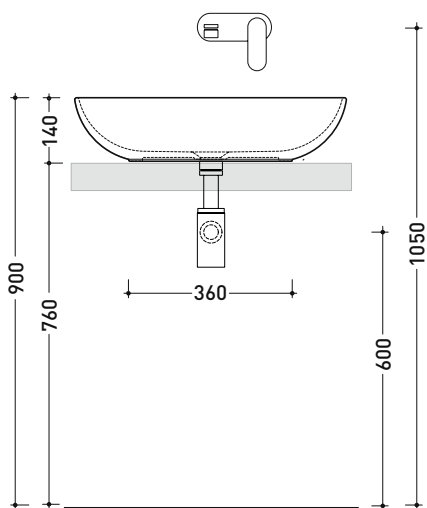


vista zenitale / zenital view

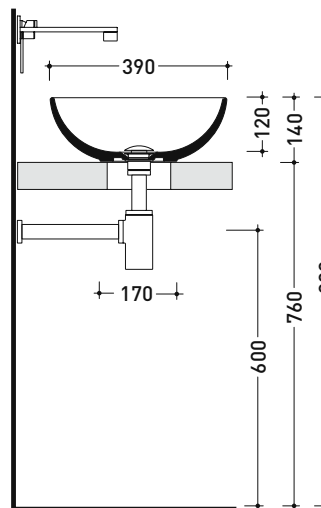
foro consigliato  
 sul piano Ø140  
 suggested hole  
 on the top Ø140



vista zenitale / zenital view



vista frontale / frontal view



sezione longitudinale / section

sizes in mm

Please consider a 2% tolerance on indicated measurements

CERAMIC: glossy finish



white

black

matt finish



milky white

carbone

argilla

cenere

nuvola

fango

rosso rubens

petrolio