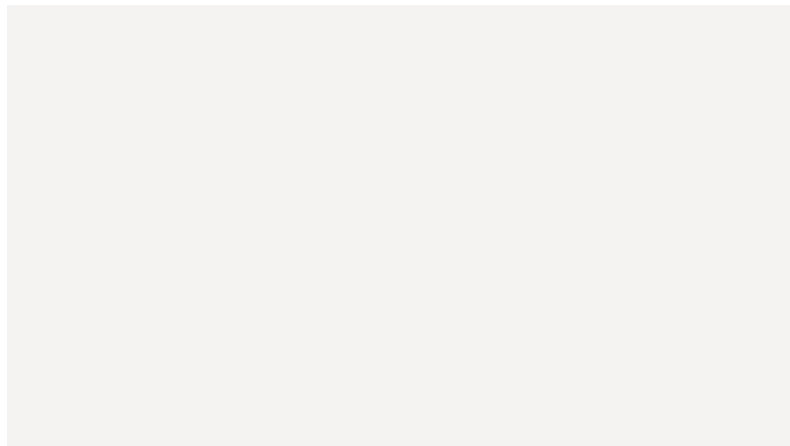


ST2560ACC

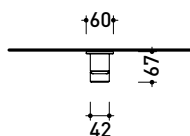
Concealed single-lever shower mixer (built-in part INCLUDED)



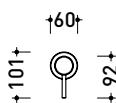
Package dim.

Weight kg

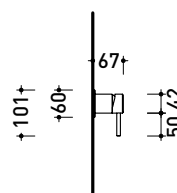
Pz. Pallet n° -



vista zenitale / zenital view



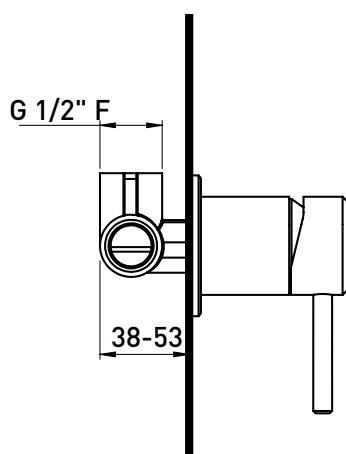
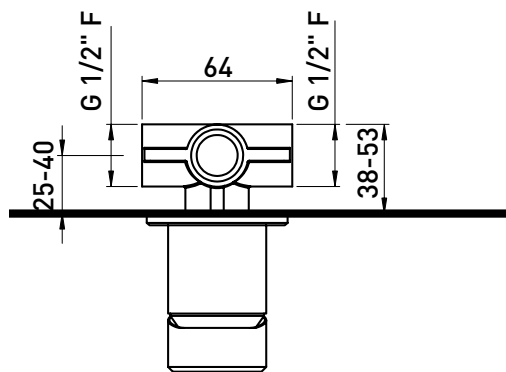
vista frontale / frontal view



vista laterale / lateral view

sizes in mm

art. **ST2560ACC**



sizes in mm